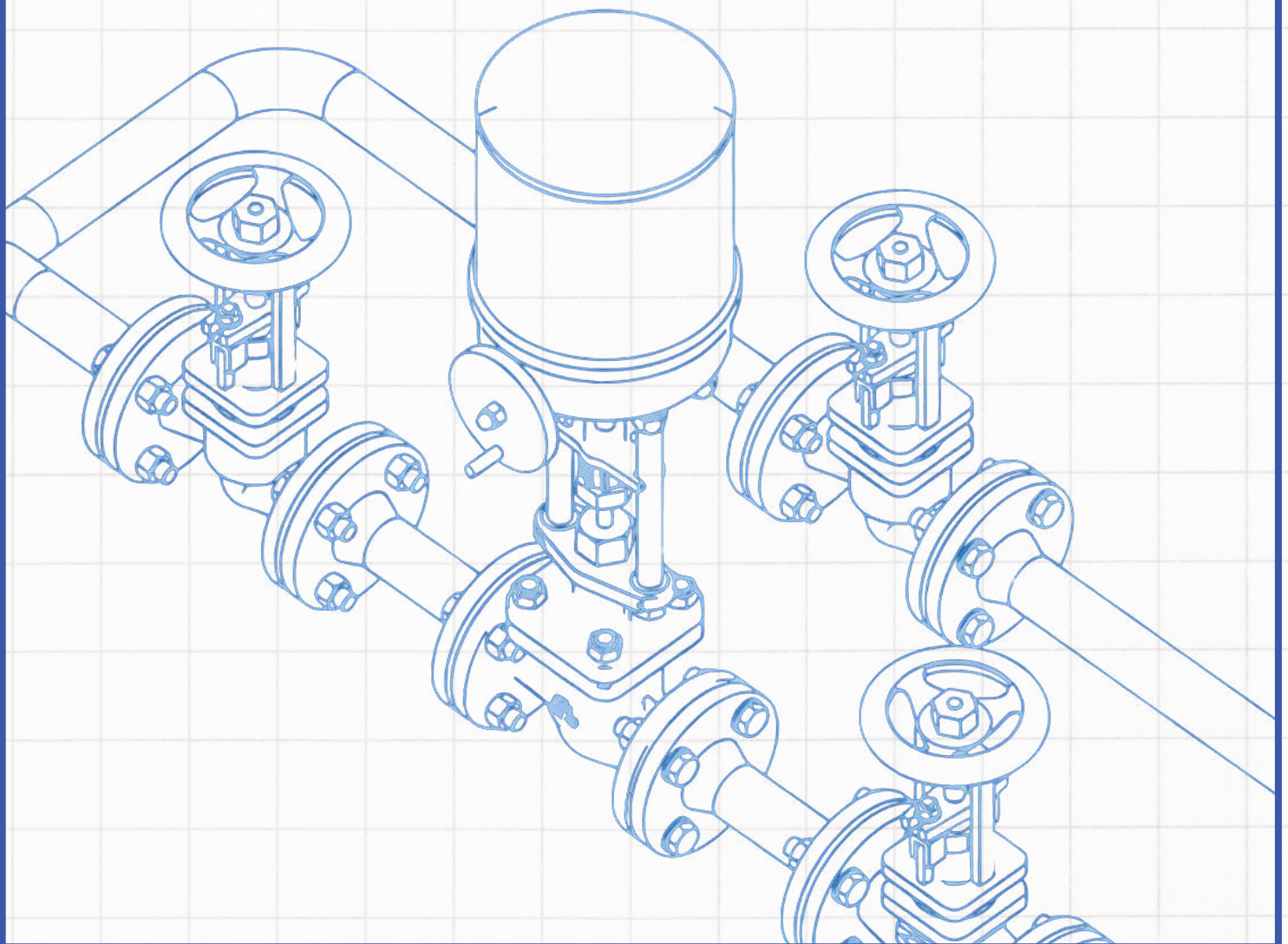


# VSL

**VALVE SUPPLY LIMITED**

**+44 (0) 1902 957 353**

**[sales@valvesupply.ltd](mailto:sales@valvesupply.ltd)**



# Manual Valves



## BALL VALVES

1-PIECE, 2-PIECE, 3-PIECE,  
3-WAY

1/4"-6"

BRASS, CAST IRON, CARBON  
STEEL, STAINLESS STEEL

RTFE / PTFE / TFM 1600 /  
CTFE SEATS

BSP, NPT, BW, BW(OD), SW,  
PN10, PN16, ASA 150/300



## GATE VALVES

OUTSIDE SCREW & YOKE  
NON-RISING STEM

1/4"-8"

BRASS, CAST IRON, CARBON  
STEEL, STAINLESS STEEL

BSP, PN10, PN16,  
ASA 150/300



## GLOBE VALVES

NON-RISING STEM

STRAIGHT

1/2"- 8"

BRONZE, CARBON STEEL,  
STAINLESS STEEL

BSP, PN10, PN16,  
ASA 150/300



## BUTTERFLY VALVES

RESILIENT SEATED (RSBV),  
METAL SEATED (HPBV),  
PTFE SEATED

WAFER SEMI - LUGGED &  
LUGGED & TAPPED

1 1/2" -24"

DUCTILE IRON, CARBON  
STEEL, STAINLESS STEEL,  
ALUMINIUM BRONZE

BUNA (NBR), EPDM,  
SILICON, PTFE+SILICON,  
PTFE LINED, VITON, METAL

PN6, PN10, PN16,  
ASA 150/300, TABLE(S)



## CHECK VALVES

SWING CHECK, SPRING  
CHECK SCREWED,  
FLANGED, WAFER

1/4" - 12"

BRASS, CAST IRON, CAST  
STEEL, STAINLESS STEEL

NBR, EPDM, METAL  
BSP, PN10, PN16  
ASA 150/300



## STRAINERS

Y

STANDARD

1/4"- 12"

BRASS, CAST IRON, CAST  
STEEL, STAINLESS STEEL

BSP, PN10, PN16  
ASA 150/300



## REGULATING VALVES

FIXED ORIFICE (FODRV),  
VARIABLE ORIFICE  
(VODRV)

1/2"- 8"

BRASS, DUCTILE IRON

BSP, PN16

# Actuators



## RACK & PINION PNEUMATIC

SA 9.5 - 1547.5 (NM)  
DA 9.0 - 3918.0 (NM)

ALUMINIUM ALLOY BODY

CAST ALUMINIUM + EPOXY COATED  
END CAPS

ATEX II 2GD C T5 CERTIFICATION | ISO  
5211 | DIN 37 | VDI/VDE 3845

WORK TEMP -20°C - +90°C | MAX  
WORK PRESS. 8 BAR



## PRISMA RACK & PINION PNEUMATIC

SA 6.7 - 1769.0 (NM)  
DA 71.0 - 5083.0 (NM)

ALUMINIUM ALLOY | CATAPHORESIS +  
RILSAN BODY

ALUMINIUM ALLOY | CATAPHORESIS +  
POLYURETHANE END CAPS

ATEX II 2G EX H IIB T6 GB / II 2D EX H  
IIIC T80° DB CERTIFICATION | SIL  
COMPLIANCE | ISO 521 | DNI 37 |  
VDI/VDE 3845

WORK TEMP -32°C - +90°C | MAX  
WORK PRESS. 8 BAR



## OPTIONS:



STAINLESS STEEL VERSION :  
CF8M STAINLESS STEEL



PLASTIC VERSION - POLYAMIDE &  
GLASS FIBRE



## J+J ROTARY ELECTRIC

25.0 - 350.0 (NM)

POLYAMIDE PA6 HOUSING

12V AC/DC  
24V AC/DC,  
48V AC/DC, 110V AC/DC, 240V AC

WEATHERPROOF IP67 | BRUSHLESS  
MOTOR | 3 YR / 60,000 WORKING  
CYCLE WARRANTY | THERMOSTATIC  
3.5W ANTI- CONDENSATION |  
HANDWHEEL MANUAL OVERRIDE |  
DIN PLUG ELECTRICAL CONNECTIONS  
| DUTY RATING 75%

WORK TEMP -20°C - +70°C | MAX

## OPTIONS:

DPS MODULATING KIT

BSR FAILSAFE KIT

INTERFACE SYSTEM KIT BLUETOOTH

TECHNOLOGY MODBUS TECHNOLOGY

DIGITAL POTENTIOMETER AVAILABLE  
IN 1K, K5 OR 10K

# Ancillaries & Controls



VSL

ANODISED ALUMINIUM  
SOLENOID VALVE

24V AC | 24V DC | 110V AC | 240V AC

30K G/MM2 CV=1.68

0.05 SECONDS RESPONSE TIME

5/2, 3/2, | 1/4" NAMUR | INSULATION  
CLASS F | LED DIN PLUG. FOR SAFE  
USE ONLY | IP65 | VOLTAGE  
TOLERANCE +/- 10% | 5 CYCLES / SEC  
MAX. FREQUENCY

## OPTIONS:

ATEX EXD CERTIFIED & FLAMEPROOF  
COIL



VSL

SWITCH BOX (LIMIT) & INDICATOR  
POLYESTER POWDER COATED DIE  
CAST ALUMINIUM HOUSING

2 X SPDT

2 X M20 | NAMUR | POSITION  
INDICATOR : CLOSED (RED), OPEN  
(YELLOW) | 8 POINTS TERMINAL  
STRIPS | IP67 NEMA 4 & 4X WORKING  
TEMP. -20°C - +80°C

## OPTIONS:

ATEX EXD CERTIFIED SWITCHBOX  
ENCLOSURE



YTC ROTORK

VALVE POSITIONER

ATEX, IECEX, TS, KCS

M20 NPT 1/4"

4-20MA INPUT SIGNAL (WITH  
FEEDBACK AVAILABLE ON REQUEST)

ATEX II | IECEX | TS | KCS | IP66 RATING  
| ALUMINIUM HOUSING AS STANDARD  
| NAMUR

## OPTIONS:

ATEX EXD CERTIFIED FEEDBACK  
FEEDBACK WITH LCD  
316 STAINLESS STEEL HOUSING  
SMART



# 100+ YEARS

## INDUSTRY EXPERIENCE

Established in 2022, we have earned the trust of our customers across the UK and beyond. Our founder, Eddie Newham, started this journey fuelled by a passion for providing customers the best possible service, quality products and value for money pricing.

We value our customers and are committed to building strong, long-lasting relationships with them.

Thank you in anticipation for choosing us as your supplier.



VSL valves are the heartbeat of our business. These high quality, meticulously designed products carry the VSL brand and embody our commitment to excellence. We have carefully selected these valves for their superior design and durability, ensuring they provide the best value for money.

*Images in this literature are for illustration purposes only*

# Order

**NEXT DAY DELIVERY  
FOR PALLETISED &  
BOXED VALVES\***

**NO MINIMUM ORDER CHARGE  
COLLECTION WITHIN THE HOUR**

**HOW TO ORDER**

**+44 (0) 1902 957 353**

**OR EMAIL US AT**

**[SALES@VALVESUPPLY.LTD](mailto:SALES@VALVESUPPLY.LTD)**

**\*LAST ORDER CUT-OFF FOR NEXT DAY  
DELIVERY IS 13.00 FOR PALLETISED  
VALVES AND 15.00 FOR BOXED VALVES**

**VALVE SUPPLY LTD  
UNITS 20 & 22, PLANETARY ROAD,  
PLANETARY INDUSTRIAL ESTATE,  
WILLENHALL, WEST MIDLANDS WV13 3XA**